

# Workswell Fixed Housing

## FOR FLIR AX5 CAMERAS



- Durable Metal IP66 Housing
- Interchangeable Front IR Glasses
- Compatible with FLIR Ax5 cameras

**Brochure**

# Workswell Fixed Housing for FLIR Ax5 cameras

Workswell Fixed Housing is specially designed and manufactured for simple and durable FLIR Ax5 camera protection. Workswell Fixed Housing offers effective protection against dust and water jets in harsh environment.

Workswell Fixed Housing system is milled from lightweight metal materials. Complete housing is divided to three independent parts. Front part covers camera lens using high transmittance infrared glasses with sealing rings. End user can select from 3 types of IR glasses – Coated Germanium, ZnSe or BaF2 glass. All glasses are easily and fast interchangeable with special fixing tool.

The central part protects Ax5 camera body and includes mounting holes for mechanical fixing. The central part is also optimized for maximum heat dissipation from camera electronics. For this reason is thermal measurement stable even at high operational temperature fluctuations.

The rear part protects camera connectors. End user can select from pre-drilled holes for cable glands or non-drilled version for user definable cable gland position.



## Characteristics

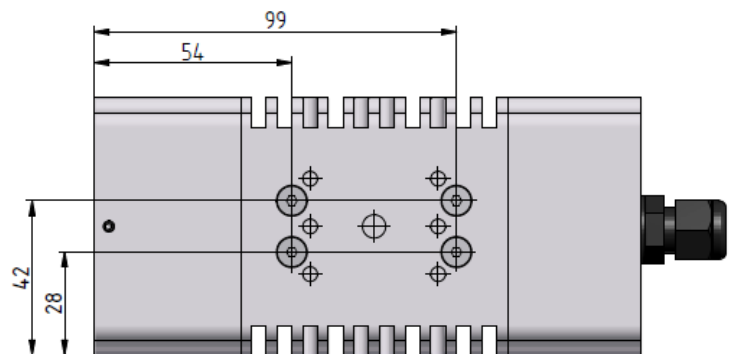
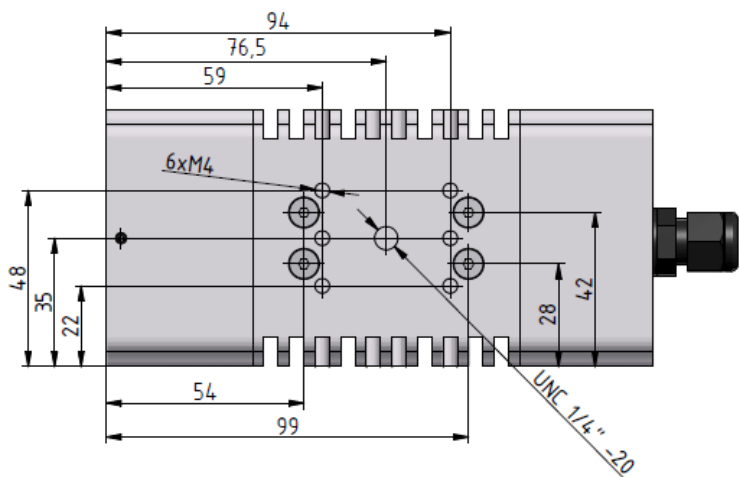
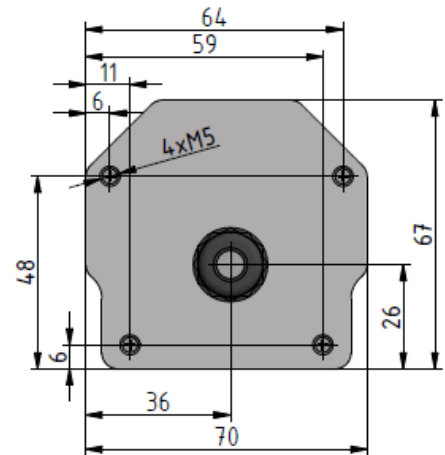
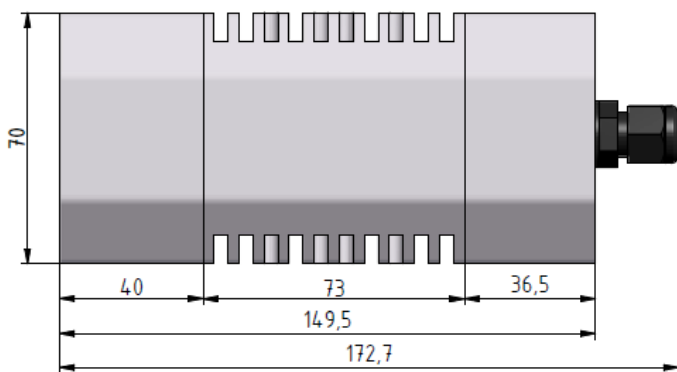
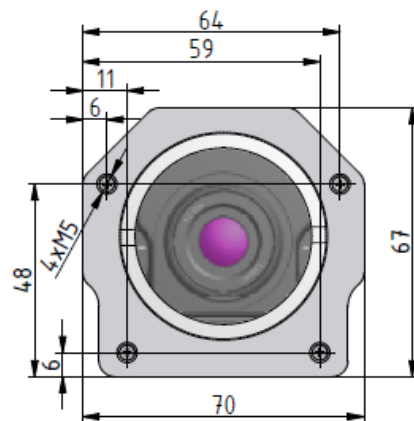
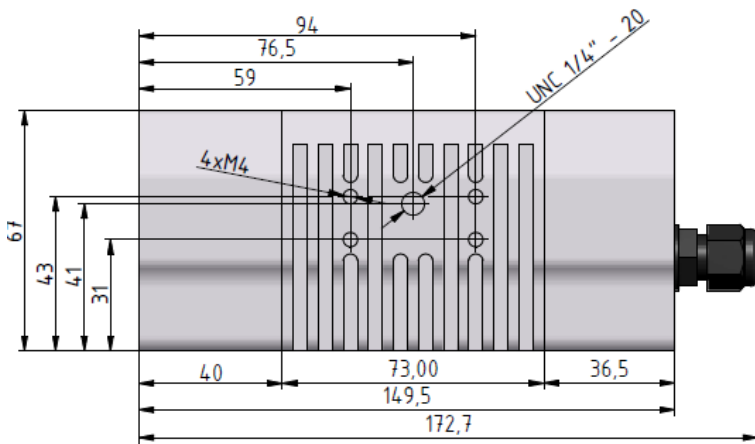
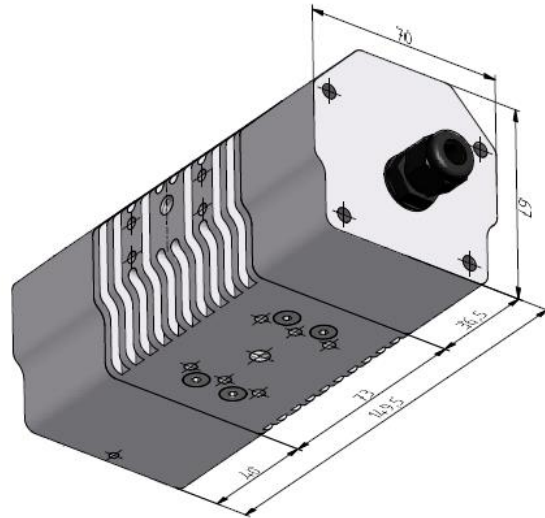
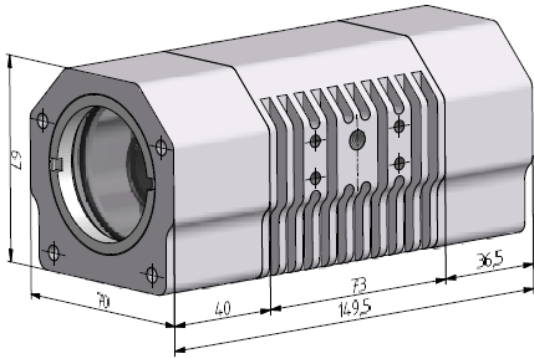
<b>Housing Material</b>	Metal aluminium
<b>Front IR glass</b>	Coated Germanium, ZnSe or BaF2
<b>Cable glands</b>	2 x IP68 metal cable glands
<b>Camera compatibility</b>	FLIR A5, A15, A35 and A65
<b>Internal protection</b>	IP66
<b>Fixing system</b>	On left, right and bottom side
<b>Fixing threads</b>	3 x UNC 1/4", 14 x M4
<b>Housing Color</b>	Black (different colors on request)
<b>Housing Dimensions</b>	145 x 70 x 67 mm
<b>Weight</b>	< 650 g

## Features

- Durable metal body
- Compatible with all FLIR Ax5 cameras
- IR glass simply interchangeable by the user
- 3 different IR glass types
- UNC and metric threads for easy fixing
- 2 x metal IP68 Cable glands
- 3 sides on-body fixing system
- Passive cooling system
- IP66 protection
- Optional Air curtain and heating plate system
- Cost effective solution



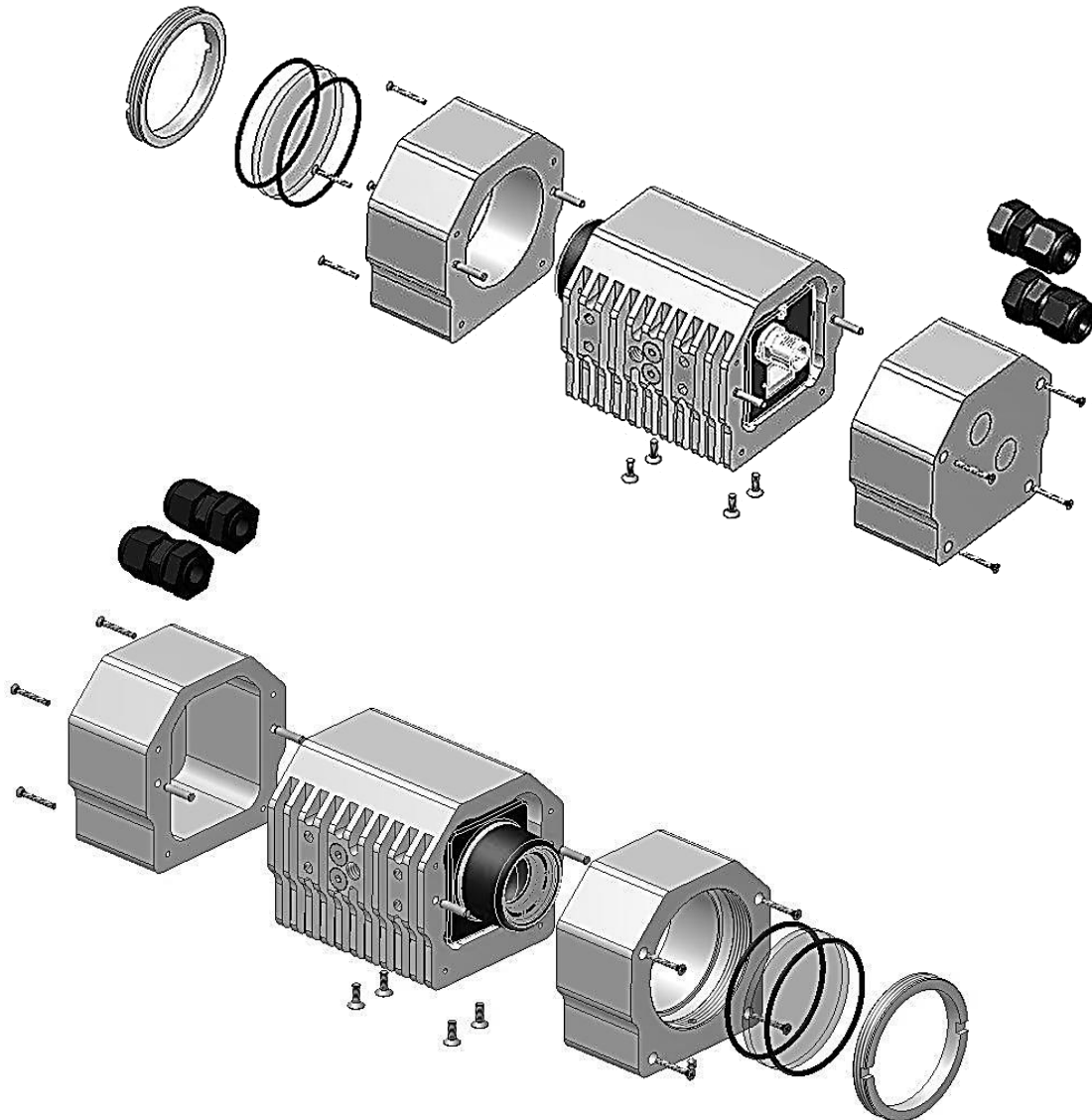
# Mechanical drawings



Workswell Fixed Housing



## Mechanical drawings – with Ax5 camera inside



# Product Overview and Housing Models

## Ax5 housing models

Housing model	Ordering Code
Metal Aluminium, Black, IP66, Germanium glass 50mm, cable glands	WFH-ax5-001
Metal Aluminium, Black, IP66, ZnSe glass 50 mm, cable glands	WFH-ax5-003
Metal Aluminium, Black, IP66, BaF2 glass 50 mm, cable glands	WFH-ax5-005

## Interchangeable IR glasses

Product	Ordering Code
Germanium glass with coating, 50 mm	G-WFH-ax5-001
ZnSe glass with coating, 50 mm	G-WFH-ax5-002
BaF2 glass with coating, 50 mm	G-WFH-ax5-003

## Accessories

Product	Ordering Code
Sealing ring for IR glass	A-WFH-ax5-004
Cable gland IP68	A-WFH-ax5-005
Screwdriver kit	A-WFH-ax5-006

## Standard Content of Delivery

Workswell Fixed Housing for FLIR A5, A15, A35 and A65 cameras		
Housing with screw set – Front, middle and rear part	1 pc	1 year warranty
2 x sealing rings	1 pc	-
1 x IR glass with coating	1 pc	-
2 x cable glands	1 pc	-





## Contacts

### Sales Department

Adam Švestka, MSc., MBA

Mobile: +420 725 955 464

E-mail: [adam.svestka@workswell.cz](mailto:adam.svestka@workswell.cz)

### Headquarters

Libocka 653/51b

160 00, Prague 6

Czech Republic

### Branches

Mezirická 100

756 61, Roznov p. R.

Czech Republic

### Company contact details

Mobile: +420 725 877 063

E-mail: [info@workswell.eu](mailto:info@workswell.eu)

Web: [www.workswell.eu](http://www.workswell.eu)

Univerzitní 1

010 08, Zilina

Slovak Republic

