

AX5 ENCLOSURE

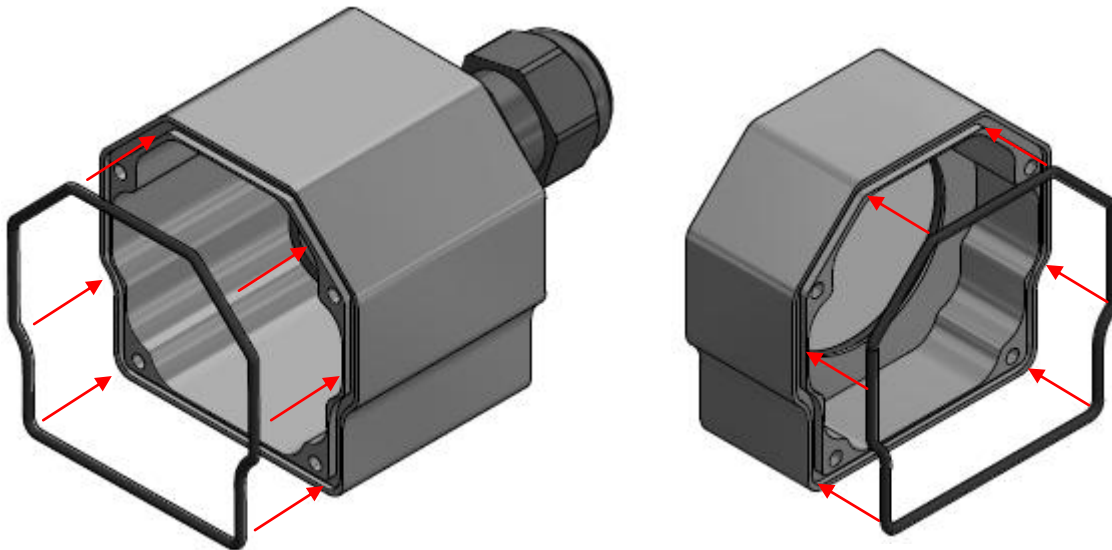
Quick Start Guide

Release date: 3rd of January, 2017

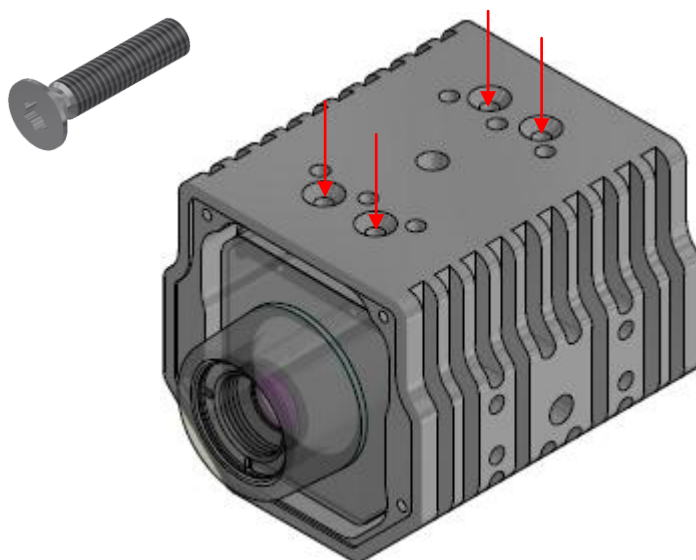
End users Validity date: till next revision

Revision Number: 1.0.

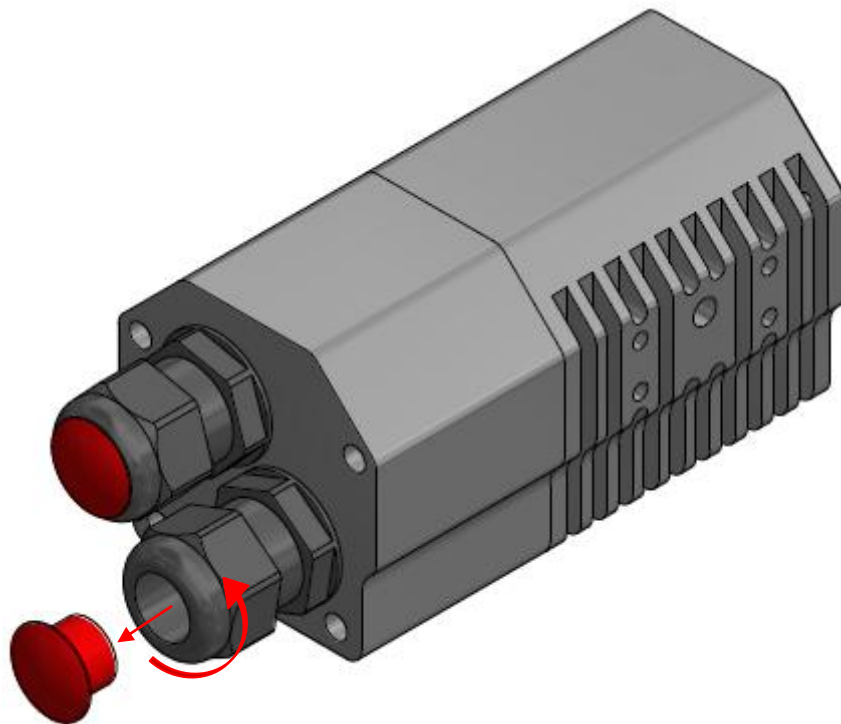
- 1) Insert the O-ring 70x2mm into the rear and front part of the enclosure from the inner side



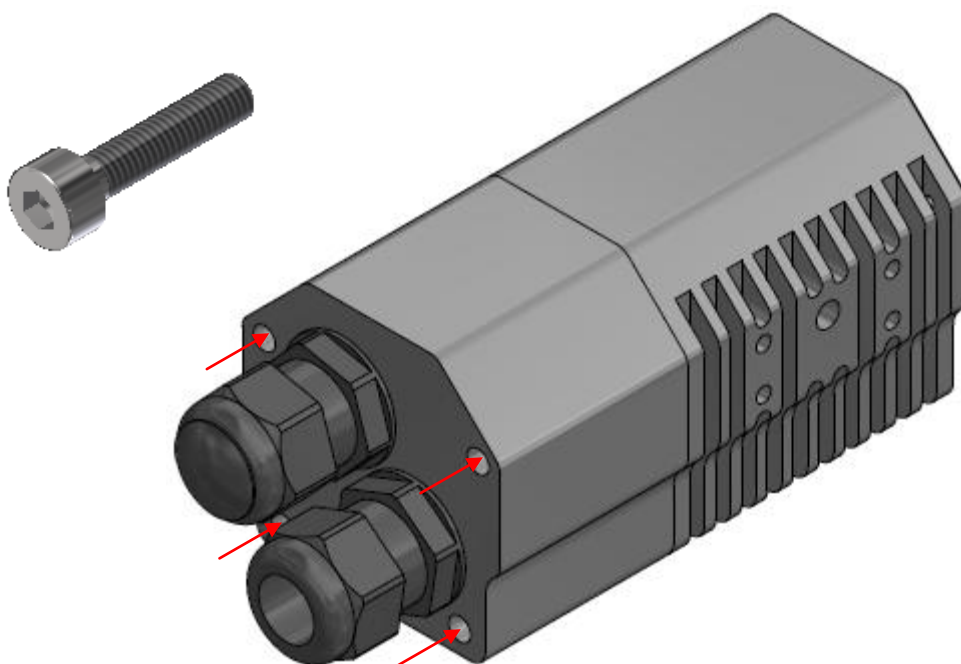
- 2) Screw Ax5 camera into the middle part of the enclosure using the countersunk head bolts M3x14



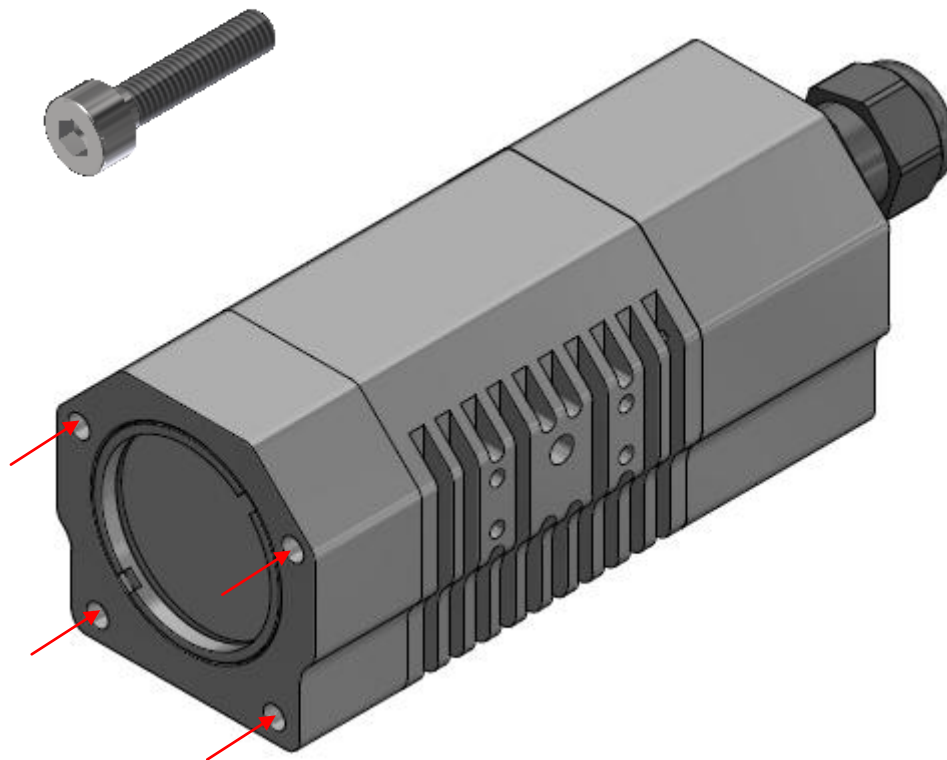
- 3) To remove the blind flanges, unscrew the nut on cable glands. Pull the cables connected to the camera through the cable glands and tighten them up.



- 4) Screw the rear part with the middle part using the cylindrical head bolts M3x14 and the hex key



5) Screw the front part with the middle part using the cylindrical head bolts M3x14 and the hex key



6) To change the front glass, use the key in packing for screwing the front nut.

