



C-WHTC

**COOLED WORKSWELL HOUSING FOR
THERMAL CAMERAS**

Datasheet

Cooled Workswell Housing for Thermal Cameras

Introduction

C-WHTC Workswell cooled protective housing for thermal camera is specially designed for using in various industrial, fire-safety and surveillance applications in extreme conditions with high-temperatures in corrosive environments. The housing is suitable for different thermal cameras that can be equipped with smaller or bigger lenses. Workswell Cooled housing offers effective protection **IP67** against dust, rain, snow and freezing conditions due to integrated heater system and the window from germanium.



The main part of the housing is very well optimized for maximum heat dissipation from camera electronics. For this reason is thermal measurement stable even at high operational temperature fluctuations. The open system allows an easy access for installation of different kind of infrared cameras including **Workswell WIC** or FLIR etc. not exceeding dimensions

78 x 78 x 280 mm.



Technical specifications

General information	
AISI 316L stainless steel construction	
Passivated and electro-polished external surfaces	
Silicone O-ring seals	
Steel cylindrical chamber for internal circulation of cooling liquid	
Material standards	
Housing polished stainless steel	AISI 316L; UNI 6900-71: X 2 Cr Ni Mo 17 12 2; DIN 17006: X 2 Cr Ni Mo 17 13 2; N ^o werkstoff: 1.4404; AFNOR: Z2 CND 17-12; BSI: 316S11
Austenitic alloy stainless steel	ISO: 7380; AISI: 316; ISO quality: A4; Resistance class ISO: from 50 to 70
Mechanical information	
Cable entry	2PG13.5 (nickel-plated brass for external connections)
Sunshield	Yes
Internal usable area (W x H x L)	78 x 78 x 280 mm
Weight	10.2 kg
Connectors for liquid input/output	2 x 1/2" GAS connectors
The flange with air barrier	1/4" Gas thread joint and a reduction from 1/2" Gas to 1/4" Gas
Cooling liquid (water at 20°C)	ambient temperature 200° C, water capacity 2l/min, temperature inside housing 32° C
Cooling Air (air at 17°C)	with pressure 1bar, air capacity 10m3/h, temperature inside housing 45° C
	with pressure 2bar, air capacity 15m3/h, temperature inside housing 35° C
Germanium window information	
Material	Germanium
Window protection	Window with protection grid
Spectral range	7.5 – 14 µm
Dimensions	Diameter 65mm
Thickness	4mm
External treatment	Scratch resistant (Hard Carbon Coating), Antireflection
Internal treatment	Antireflection



Operating environment	
Indoor / Outdoor	Yes
IP protection	EN60529: 1991/A1 2001, IP66
Operating temperature	0 °C...+200 °C, Relative humidity 10-95% (non-condensation)
Maximal working temperature	200 °C (with water cooling)
Certifications	
Electrical safety (CE)	EN60065
Electromagnetic compatibility (CE)	EN50130-4, EN61000-6-3
EAC certification	Yes
Accessories	
OHEPS24	Camera power supply IN 230Vac, 50/60Hz - OUT 12Vdc, 400mA
OHEPS25	Camera power supply IN 230Vac, 50/60Hz - OUT 24Vac, 400mA



Accessories – brackets and adaptors

WALL MOUNT BRACKET 1



WALL MOUNT BRACKET 2



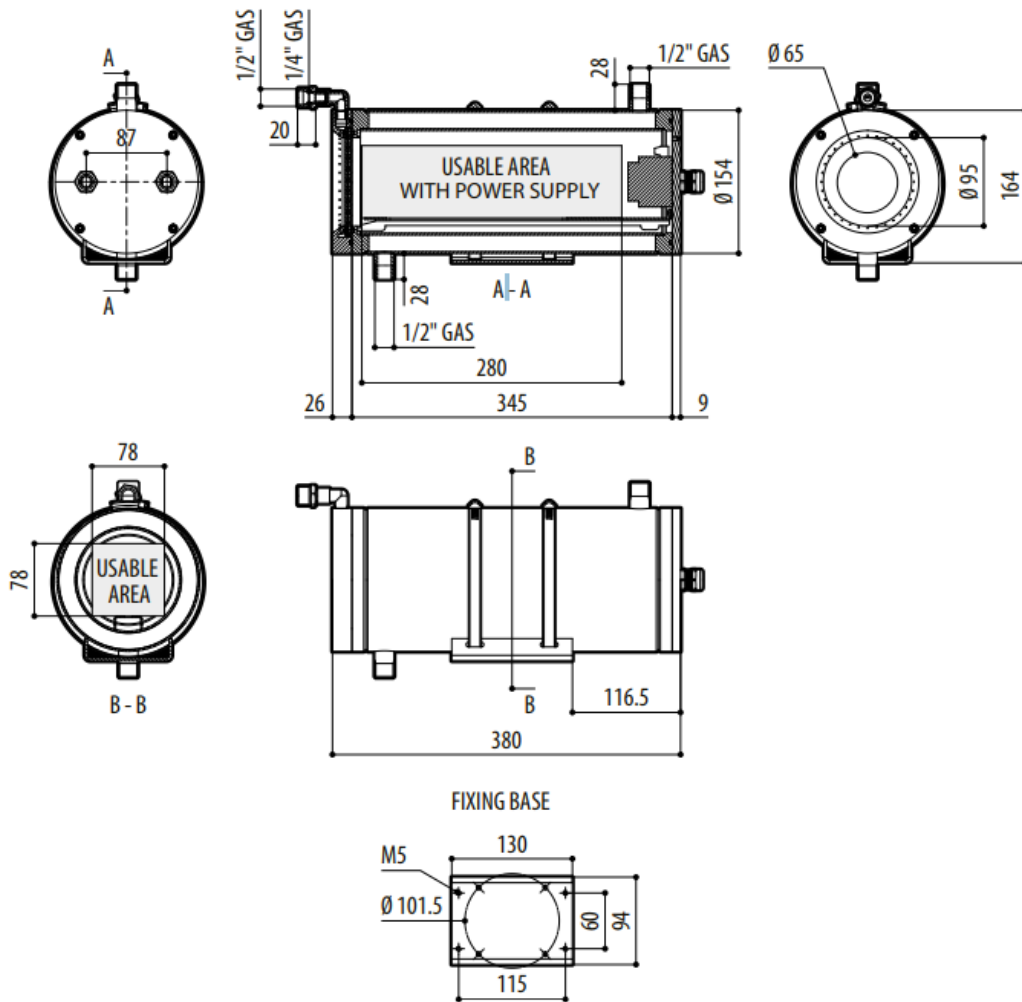
POLE MOUNT ADAPTOR



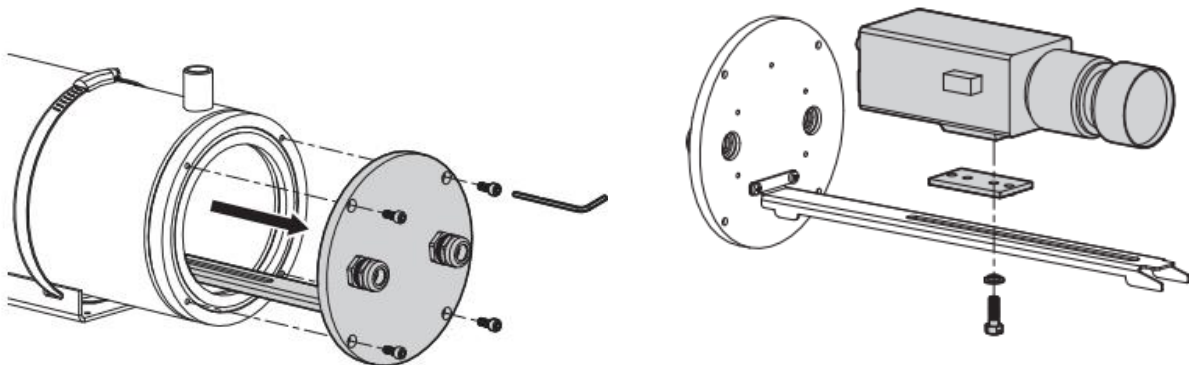
CORNER MOUNT ADAPTOR



Dimensions (in millimetres)



Installation





Contacts

Sales Department

Mobile: +420 725 955 464

E-mail: sales@workswell.eu

Headquarters

Workswell s.r.o.

U Albrechtova vrchu 12

155 00, Prague 13

Czech Republic

Partners Worldwide

Visit our [partner list online](#)

Company contact details

Mobile: +420 725 877 063

E-mail: info@workswell.eu

Web: www.workswell.eu

