



# SS-WHTC

## STAINLESS STEEL WORKSWELL HOUSING FOR THERMAL CAMERAS

---

Datasheet

---

# Stainless Steel Workswell Housing for Thermal

## Introduction

**SS-WHTC** Workswell Stainless Steel protective housing for thermal camera is specially designed for using in various industrial, fire-safety and surveillance applications in extreme conditions where it has high corrosive effects or a ban on the occurrence of aluminium. The housing is suitable for different thermal cameras that can be equipped with smaller or bigger lenses. Workswell Stainless Steel housing offers effective protection **IP67** against dust, rain, snow and freezing conditions due to integrated heater system and the window from germanium.



The main part of the housing is very well optimized for maximum heat dissipation from camera electronics. For this reason is thermal measurement stable even at high operational temperature fluctuations. The open system allows an easy access for installation of different kind of infrared cameras including **Workswell WIC**, **Workswell SMARTIS**, FLIR series etc. not exceeding dimensions **88 x 86 x 245 mm**.



## Technical specifications

General information	
AISI 316L stainless steel construction	
Passivated and electro-polished external surfaces	
Material standards	
Housing polished stainless steel	AISI 316L; UNI 6900-71: X 2 Cr Ni Mo 17 12 2; DIN 17006: X 2 Cr Ni Mo 17 13 2; N° werkstoff: 1.4404; AFNOR: Z2 CND 17-12; BSI: 316S11
Screws alloy stainless steel	ISO: 7380; AISI: 316; ISO quality: A4; Resistance class ISO: from 50 to 70
Mechanical information	
Cable entry	2xPG13.5
Sunshield	Yes
Internal usable area (W x H x L)	88 x 86 x 245 mm
Weight	6 kg
Cable glands	2xPG13.5 (nickel-plated brass for external connections)
Flange thickness	9mm (front/back)
Gaskets	High sealing
Germanium window information	
Material	Germanium
Window protection	Window with protection grid
Spectral range	7.5 – 14 µm
Dimensions	Diameter 55mm
Thickness	2mm
External treatment	Scratch resistant (Hard Carbon Coating), Antireflection
Internal treatment	Antireflection
Power supply, Serial interface and heating	
Power supply	12Vdc, 1.6A max
	24Vac, 0.85A max, 50/60Hz
	120Vac, 0.35A max, 50/60Hz
	230Vac, 0.18A max, 50/60Hz



<b>Heater</b>	On Temperature 15 °C ± 3 °C Off Temperature 22 °C ± 3 °C
<b>Operating environment</b>	
<b>Indoor / Outdoor</b>	Yes
<b>IP protection</b>	EN60529: 1991/A1 2001, IP66/IP67 with cable glands
<b>Operating temperature with heating</b>	-20 °C...+60 °C, Relative humidity 10-95% (non-condensation)
<b>Certifications</b>	
<b>Electrical safety (CE)</b>	EN60065
<b>Electromagnetic compatibility (CE)</b>	EN50130-4, EN61000-6-3
<b>IP protection degree</b>	EN60529 (IP66/IP67)
<b>EAC certification</b>	Yes
<b>Accessories</b>	
<b>OHEH05B</b>	Heater 12Vdc/24Vac
<b>OHEH06B</b>	Heater 120/230Vac
<b>ONXPS1B</b>	Wide range power supply for camera IN 100-240Vac - OUT 12Vdc, 1.25A
<b>ONXPS2B</b>	Camera power supply IN 230Vac - OUT 24Vac, 400mA



## Accessories – brackets and adaptors

**WALL MOUNT BRACKET 1**



**WALL MOUNT BRACKET 2**



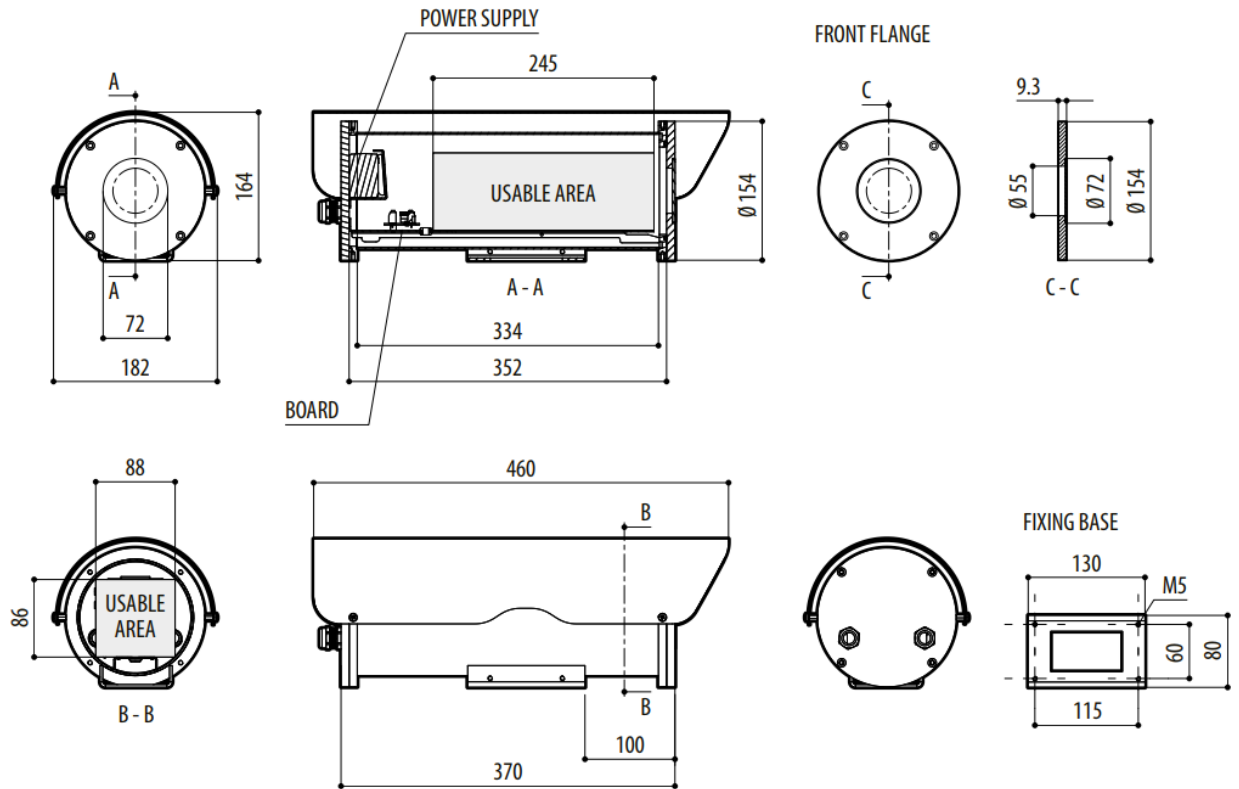
**POLE MOUNT ADAPTOR**



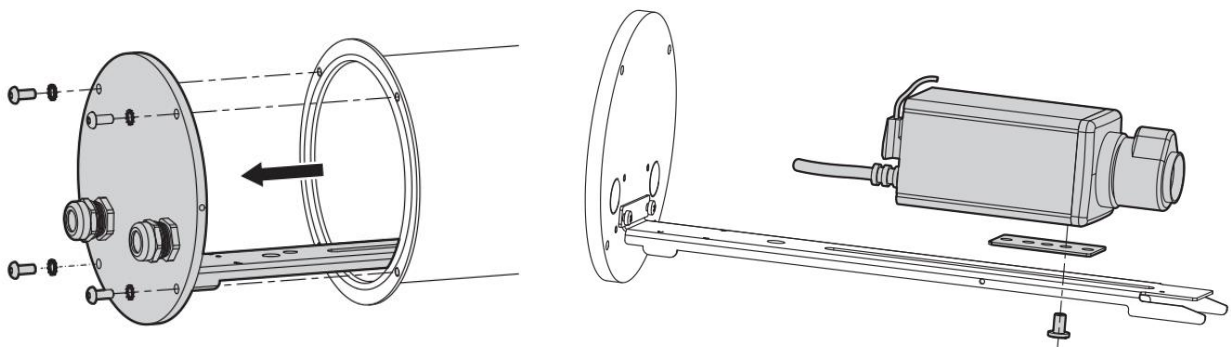
**CORNER MOUNT ADAPTOR**



## Dimensions (in millimetres)



## Installation





## **Contacts**

### **Sales Department**

**Mobile:** +420 725 955 464  
**E-mail:** [sales@workswell.eu](mailto:sales@workswell.eu)

### **Company contact details**

**Mobile:** +420 725 877 063  
**E-mail:** [info@workswell.eu](mailto:info@workswell.eu)

**Web:** [www.workswell.eu](http://www.workswell.eu)

### **Headquarters**

Workswell s.r.o.  
U Albrechtova vrchu 12  
155 00, Prague 13  
Czech Republic

### **Partners Worldwide**

Visit our [partner list online](#)

